

**YOUR FRIENDS HAVE  
MORE FRIENDS  
THAN YOU DO**

**SAMUEL HANSEN**





**A has 1 friend**

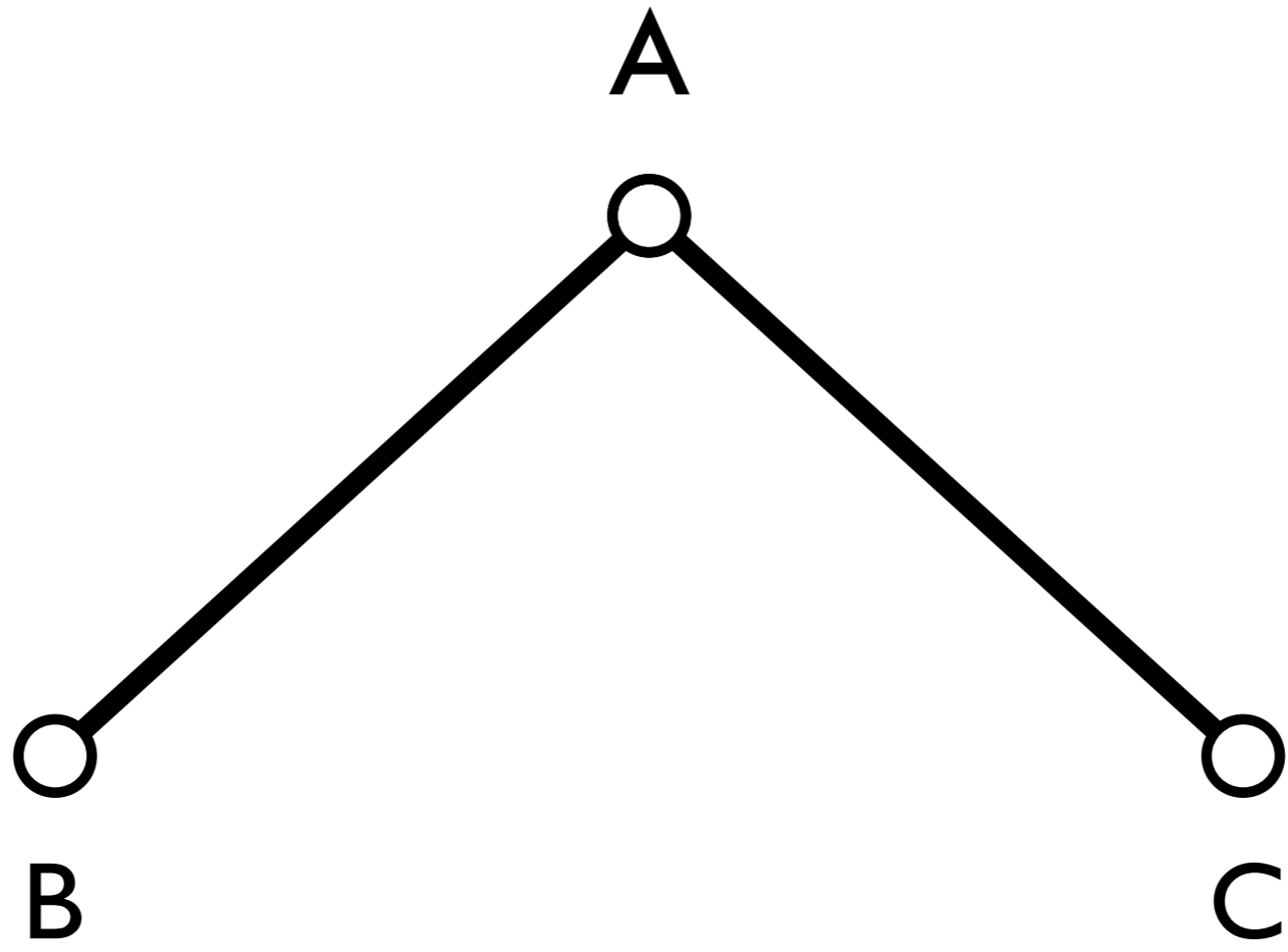
**B has 1 friend**

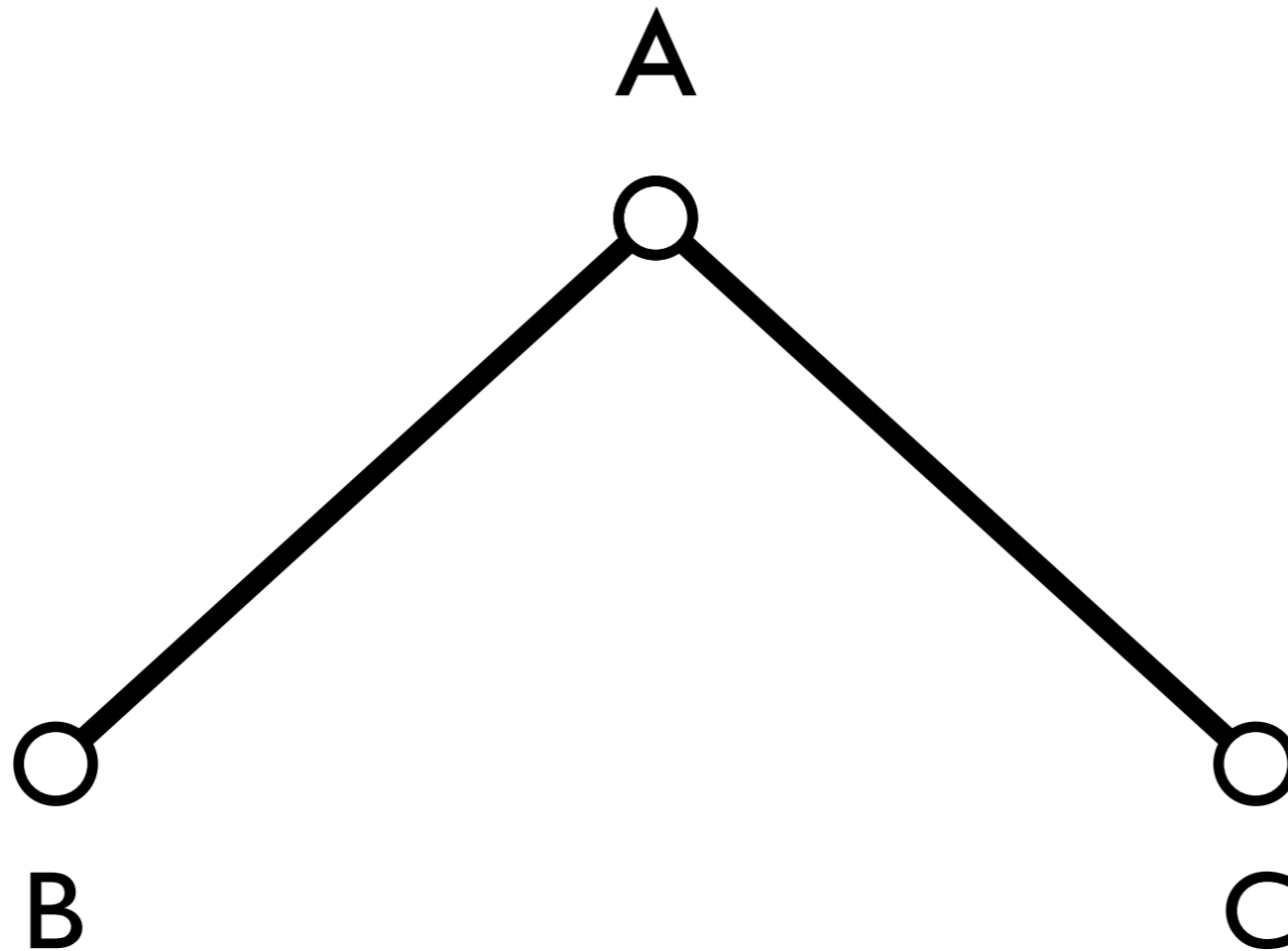
**The total number of friends is 2**

**The average number of friends is 1**

**The total number of friends of friends is 2**

**The average number of friends of friends is 1**





A has 2 friends

B has 1 friend

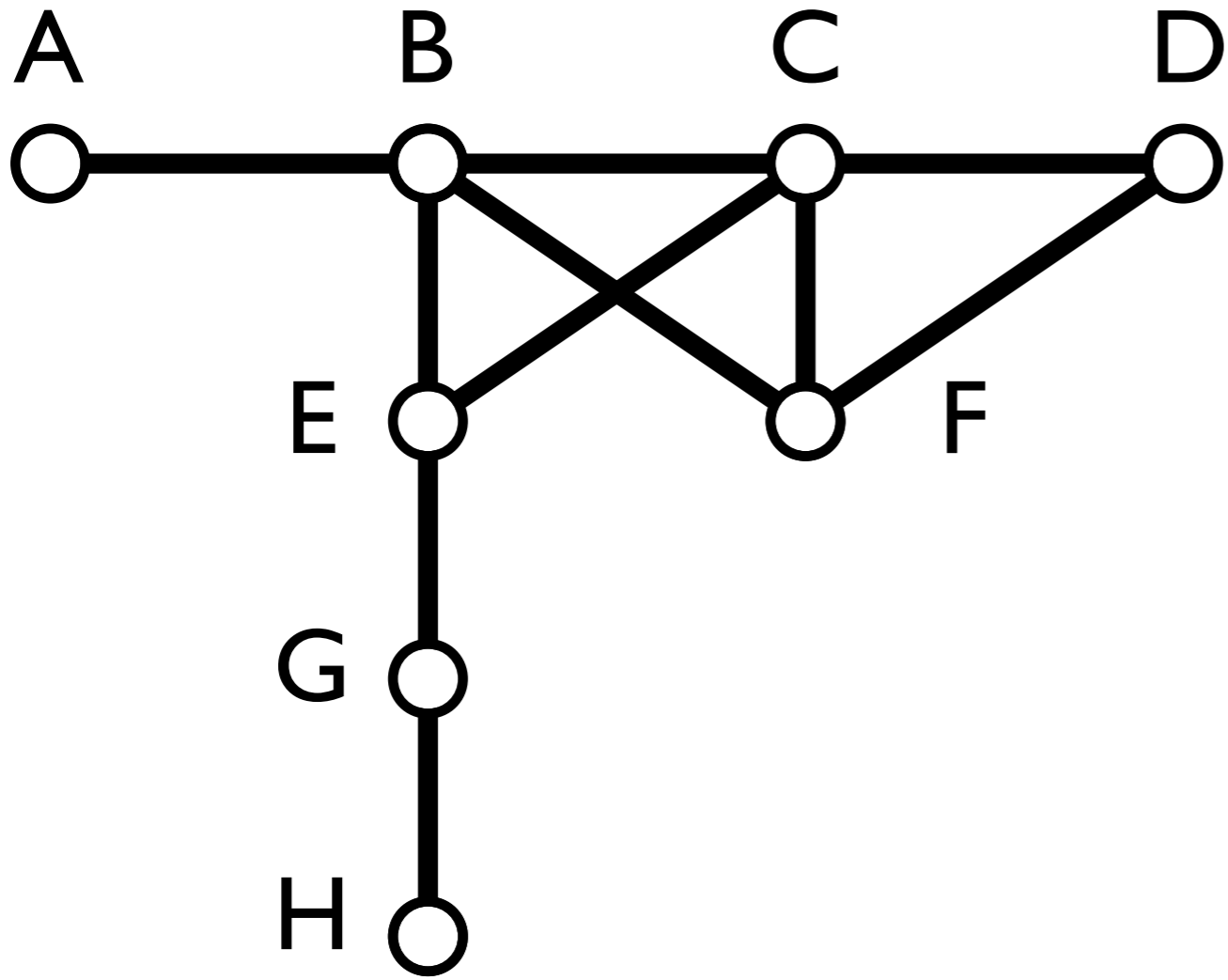
C has 1 friend

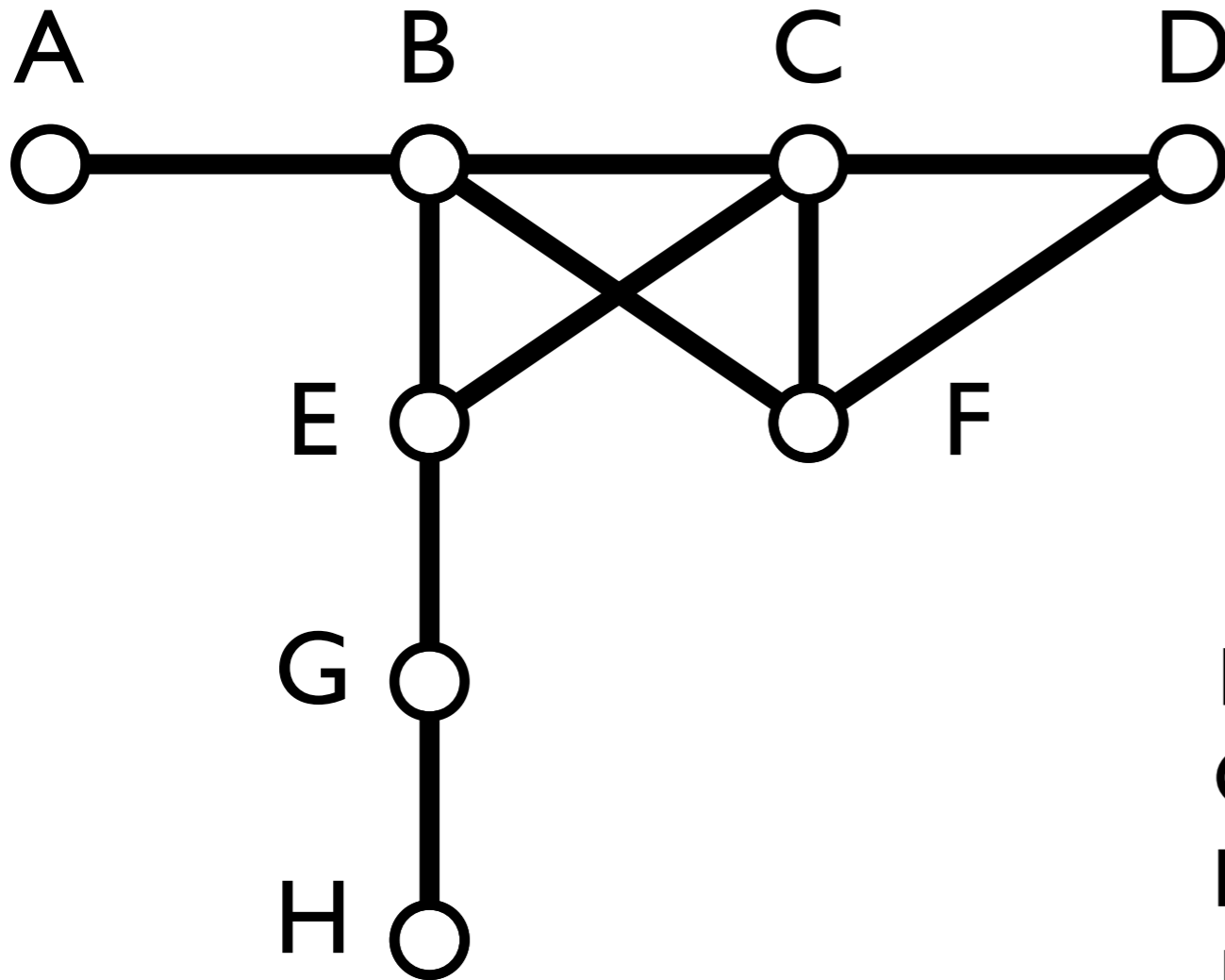
The total number of friends is 4

The average number of friends is  $\frac{4}{3}$

The total number of friends of friends is 6

The average number of friends of friends is  $\frac{3}{2}$





A has 1 friend  
B has 4 friends  
C has 4 friends  
D has 2 friends  
E has 3 friends  
F has 3 friends  
G has 2 friends  
H has 1 friend

The total number of friends is 20  
The average number of friends is  $5/2$   
The total number of friends of friends is 60  
The average number of friends of friends is 3