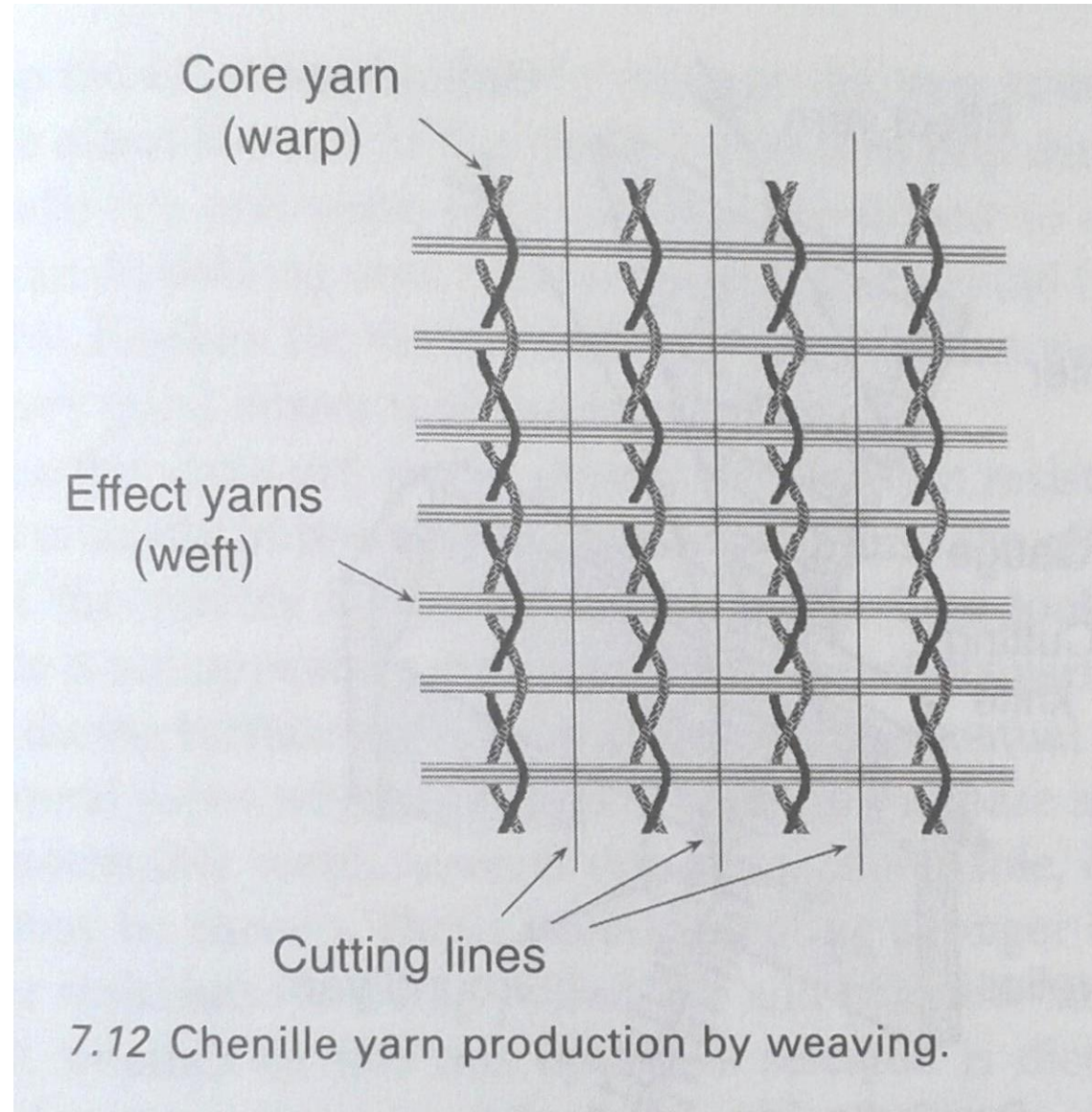
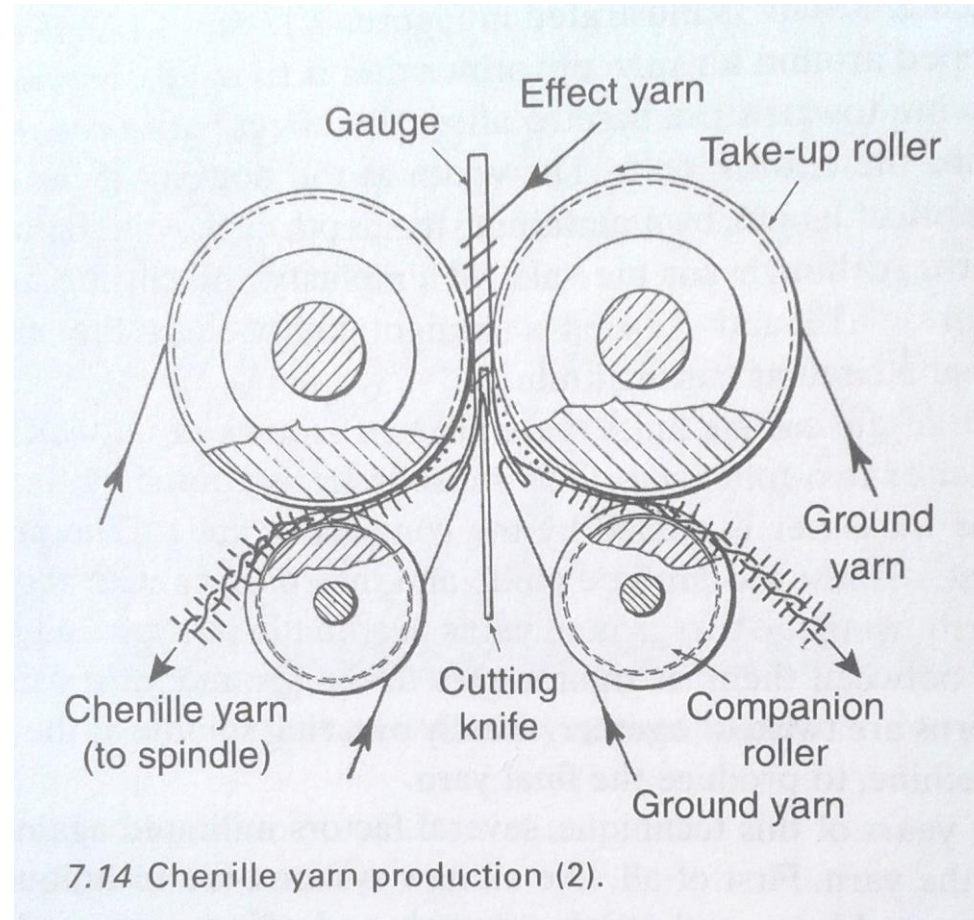
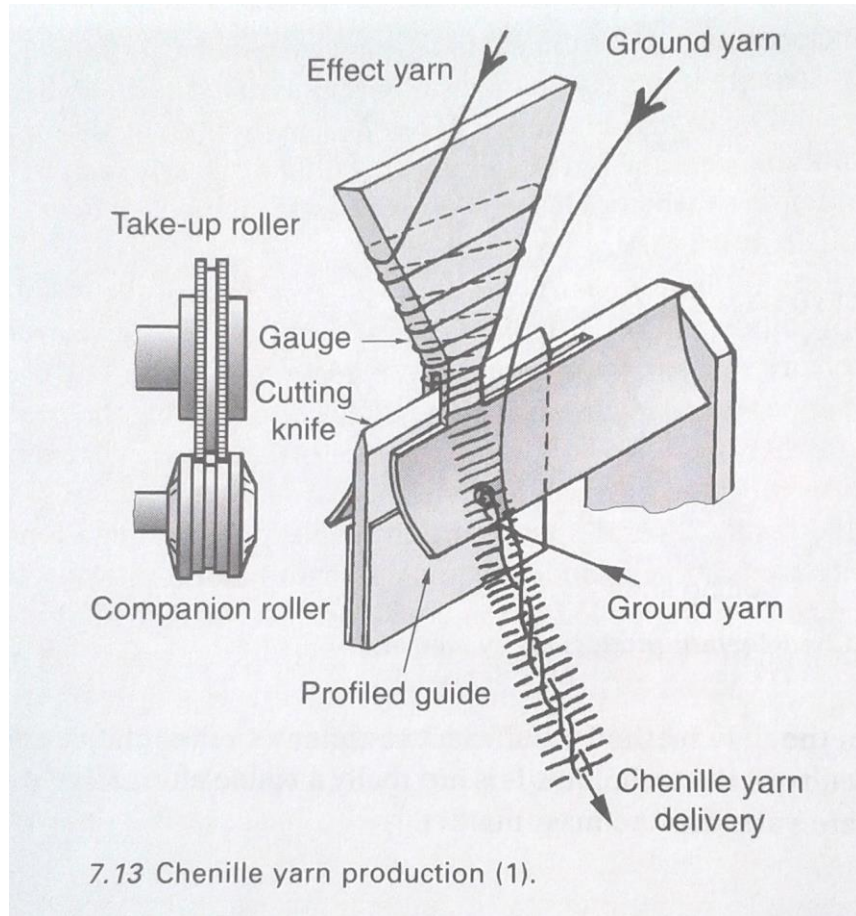
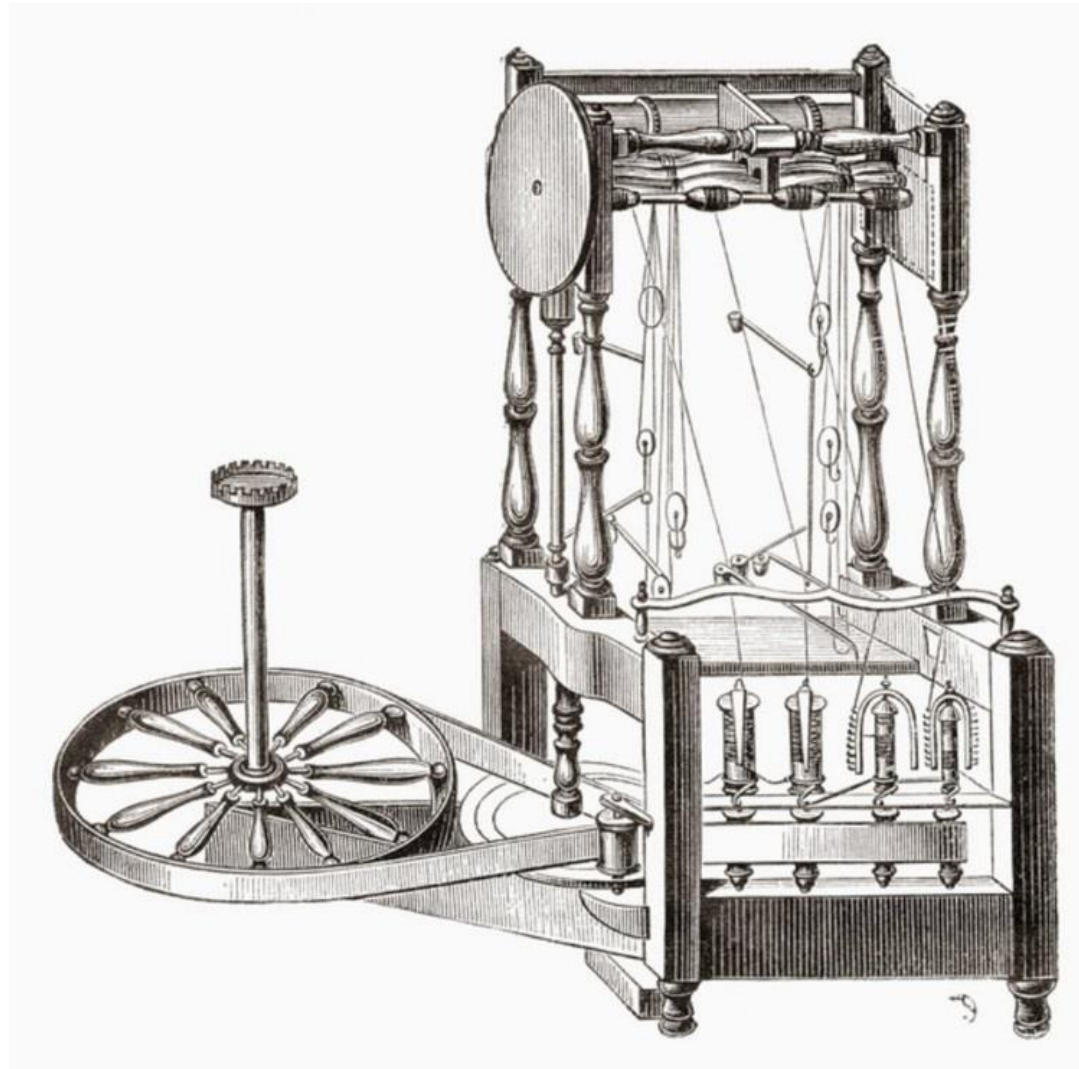


Chenille: A pack of chenille of four strands, each one four *aunes*, usually weights one *gros* and three-quarters. Ordinary colours – such as gray, yellow, green or blue – are sold for twenty *sols*; in red or bright red they cost twenty-five *sols*. Chenille is made and sold by Ribbonmakers. For chenille to be of good quality, it must have many hairs, evenly cut. It is made in a number of thicknesses; those spun threads [as opposed to the lighter quality woven threads] are less costly and not as good. Chenille may be applied threaded on a needle or couched onto the fabric or in a chain stitch made with a hook.





## Modern Chenille Spinning



Arkwright's water frame

